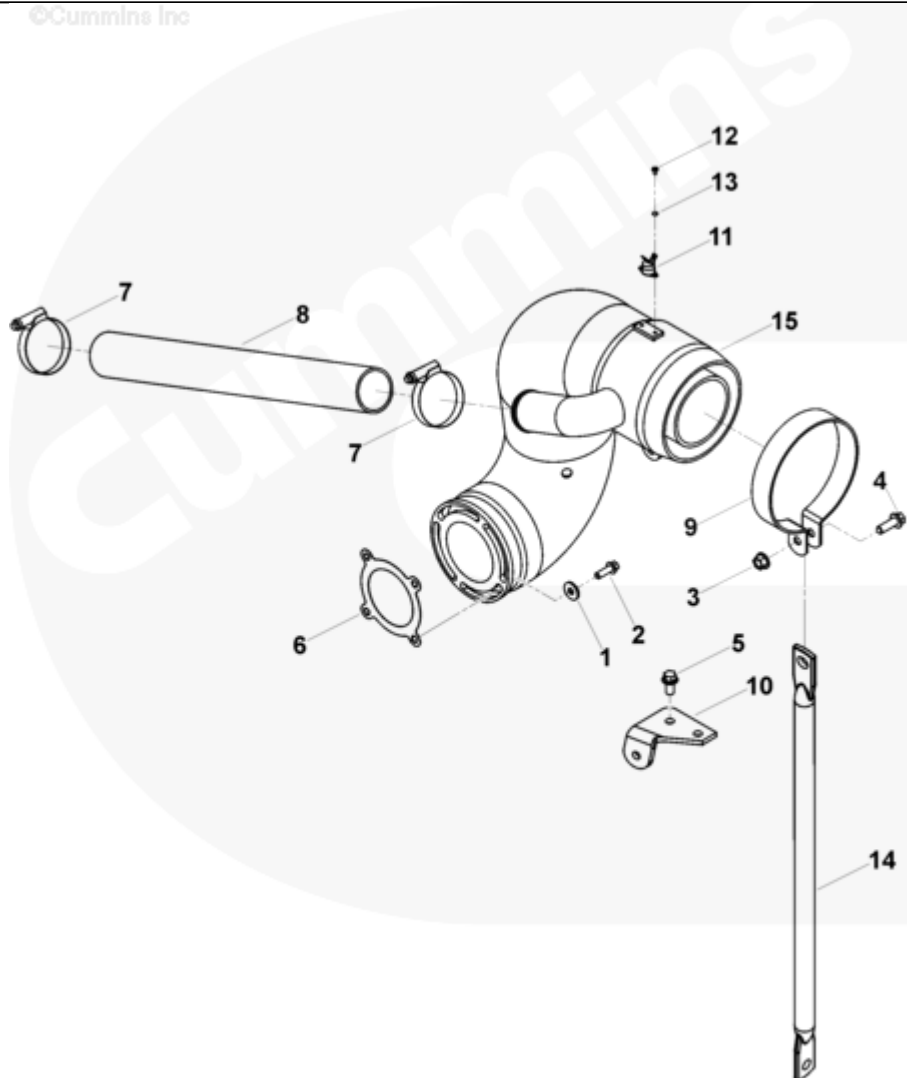




Parts Catalog - Option Detail

| Electronic Parts Catalog - Option Detail | | | | |
|--|--|---------|-----------|-----------|
| Option | Group | Graphic | Film Card | Date |
| XS9382-01 | 11.01.1 | xs954gh | Z | 20-JUL-05 |
| Engines | 6C8.3, C GAS PLUS CM556, G8.3, G8.3 CM558, GTA8.3 CM558, ISC CM2150, ISC CM554, ISC CM850, ISC8.3 CM2250, ISC8.3 G CM2180 C101, ISL CM2150, ISL CM554, ISL CM850, ISL G CM2180, ISL8.9 CM2150 L110, ISL8.9 CM2880 L112, ISL9 CM2150 SN, ISL9 CM2250, ISL9 CM2350 L101, ISL9 CM2350 L111, ISLE4 CM850, L GAS PLUS CM556, L8.9, L8.9 L121, L8.9G CMOH2.0 L125B, L9 CM2350 L116B, L9 CM2350 L119B, L9 CM2350 L120C, L9 CM2350 L123B, L9.3 L105, L9.5 L117, L9N CM2380 L124B, QSC8.3 CM2250, QSC8.3 CM2880 C102, QSC8.3 CM554, QSC8.3 CM850(CM2850), QSL9 CM2250, QSL9 CM2250 L115, QSL9 CM2350 L102, QSL9 CM2350 L107, QSL9 CM2350 L118, QSL9 CM2350 L122, QSL9 CM554, QSL9 CM850(CM2850), QSL9 G CM558, QSL9 M CM2250 L106, QSL9.3 CM2880 L113 | | | |



xs954gh

SMALL | MEDIUM | LARGE

| Cart | Ref No | Part Number | Part Description | Required | Remarks |
|--------------|--------|-------------|---------------------------|----------|-----------------------------------|
| View My Cart | | | | | |
| | | XS9382-01 | Exhaust Outlet Connection | | MR - CONNECTION, EXHAUST...(More) |
| | | | | | OUTLET |
| | | | | | Connection Supplier: CMD |
| | | | | | Connection Description: Wet |
| | | | | | OEM Interface Connection |
| | | | | | Outside Diameter (mm): 203.2 |
| | | | | | Sea Water Connection Size |
| | | | | | (mm): 50.8 |
| | | | | | OEM Interface Connection |
| | | | | | Type: Hose Clamp |
| | | | | | Turbocharger Interface |
| | | | | | Connection Type: 4 Screws |
| | | | | | Unique Characteristics: |
| | | | | | Surface Temperature Wwitch |
| | | | | | Mounted Onto Exhaust Outlet |
| | | | | | Activation Temperature: 250 |
| | | | | | +/- 10 Deg F |
| | | | | | Deactivation Temperature: |
| | | | | | 210 +/- 12 Deg F |
| | | | | | Required Voltage: 12V to 30V |
| | | | | | DC |
| | | | | | Normally Open Circuit |
| | | | | | Close on Temperature Rise |
| | | | | | Exhaust Outlet Connection is |
| | | | | | Mounted on Engine and |
| | | | | | Connected to Engines Sea |
| | | | | | Water Circuit |
| | | | | | Option Intended for BBG - |

| | | | | | |
|--------------------------|----|-------------------------|----------------------------------|---|--------------------------|
| | | | | | Searay |
| | | | | | Boat Model: 420DB |
| | | | | | **RESTRICTED TO CUSTOMER |
| | | | | | 1092** |
| | | | | | |
| <input type="checkbox"/> | 1 | 3278499 | Plain Washer | 4 | |
| <input type="checkbox"/> | 2 | 3900631 | Hexagon Flange Head Cap Screw | 4 | M8 X 1.25 X 25. |
| <input type="checkbox"/> | 3 | 3902662 | Hexagon Flange Nut | 2 | M10 x 1.50 |
| <input type="checkbox"/> | 4 | 3903112 | Hexagon Flange Head Cap Screw | 2 | M10 X 1.50 X 30. |
| <input type="checkbox"/> | 5 | 3903990 | Hexagon Flange Head Cap Screw | 2 | M10 X 1.50 X 20. |
| <input type="checkbox"/> | 6 | 3921961 | Exhaust Outlet Connection Gasket | 1 | |
| <input type="checkbox"/> | 7 | 3922848 | Hose Clamp | 4 | |
| <input type="checkbox"/> | 8 | 3969187 | Plain Hose | 1 | |
| <input type="checkbox"/> | 9 | 4070073 | Tube Support Collar | 1 | |
| <input type="checkbox"/> | 10 | 4078434 | Connection Brace | 1 | |
| <input type="checkbox"/> | 11 | 4078749 | Temperature Switch | 1 | |
| <input type="checkbox"/> | 12 | 4078918 | Round Head Cap Screw | 2 | #6 - 32 UNC |
| <input type="checkbox"/> | 13 | 4078919 | Lock Washer | 2 | |
| <input type="checkbox"/> | 14 | 4933160 | Exhaust Outlet Connection Brace | 1 | |
| <input type="checkbox"/> | 15 | 4933161 | Exhaust Outlet Connection | 1 | |